



SES-2000N

ECHO SOUNDER

- ❖ Adopt 10.4" Color TFT LCD display
- ❖ Compliant with IMO regulation
- ❖ Store max 20 hours records

10.4 inch

ECHO SOUNDER
NEW PRODUCT

ECHO SOUNDER

ECHO SOUNDER

FEATURES

- Compliant with IMO Rule & Regulation.
- Max 20hrs storage.
- Can display position(Latitude, Longitude), direction, speed, water temperature when interfacing with outside input.
- Can select remote depth display(option).
- 10.4" COLOR TFT LCD.
- Alarm at dangerous depth.

SPECIFICATION

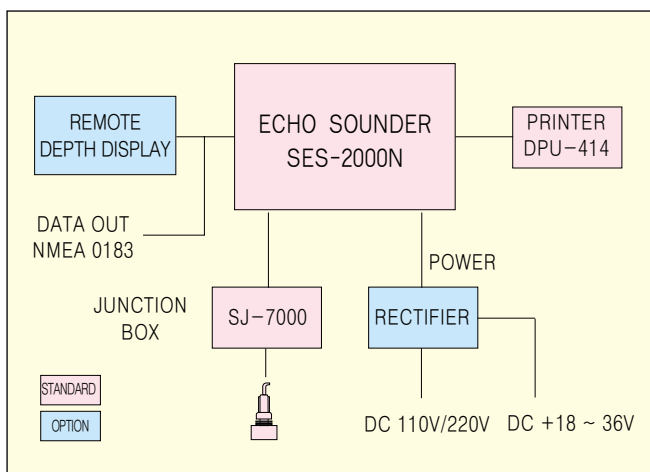
- Display : 10.4" COLOR TFT LCD
- Display color : 16colors
- Operating frequency : 50KHz or 200KHz
- Beam width(-3dB) : 50KHz(16°), 200KHz(7°)
- Output : 2 steps(H/L), Max1.5KW
(automatic conversion according to depth range)
- Depth setup(m) : 0~20, 0~50, 0~100, 0~200,
0~500, 0~1,000
- Accuracy : 0~20m
- Shift speed(1display/min.) : 1/2, 1/4, 1/8, 1/16 stop(5steps)
- Storage speed and time : 1display/16min.
continuous memory for max 20hrs.
- Mark : Automatic & Manual setup
(00hrs. 00min. 00sec - 99hrs. 60min. 60sec. setup)
- Display of function : Sensitivity,attenuation,
transmitting output, time marking,
depth, variable scales.
Outside input: position ,ship speed, direction.

- Alarm : sound & display
- Interface : SAMYUNG, NMEA 0183, CIF, JRC
- Power : DC+18~36V
- Option : REMOTE DEPTH INDICATOR

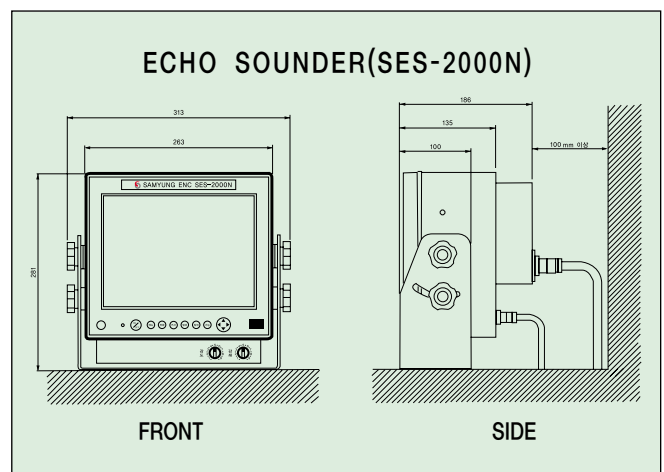
BASIC COMPONENT

- | | |
|------------------------------------|-------|
| • Display(SES-2000N) | ×1EA |
| • Transducer(50KHz or 200KHz) | ×1EA |
| • Transducer JUNCTION BOX(SJ-7000) | ×1EA |
| • Printer(DPU-414) | ×1EA |
| • Installation material | ×1LOT |

CONFIGURATION



DIMENSIONS



Head Office : 1123-17, Dongsam-Dong, Youngdo-Gu, Busan, 606-083, Korea
Tel : 82-51-601-6666(Rep.) **Fax** : 82-51-412-6616
Marketing & Service : 65-20, 2-Ga Namhang-Dong, Yungdo-Gu, Busan, 606-032, Korea
Tel : 82-51-601-5530(Rep.) **Fax** : 82-51-413-4446
Http : //www.samyungenc.com



ISO 9002 / KS A 9002
 Certificate No. : QSC92073

