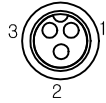


SNX-300(NAVTEX Receiver)

5.5mm<sup>2</sup> 3M  
A-04 : EARTH WIRE(3M)

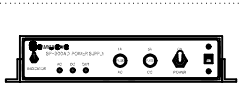


POWER SUPPLY	
DC 10V~36V	
1	WHITE(DC+)
2	GND
3	BLACK(DC-)

DC12V battery

DC 24V battery

OPTION

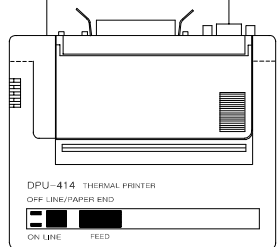


SP-300AD

DC12V

A-05 OPTION

PRINTER CABLE(2M)

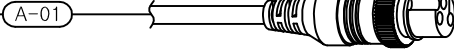


PRINTER DPU-414

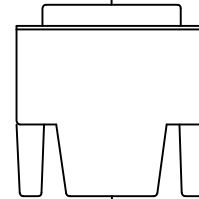
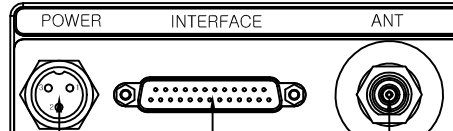
DATA CABLE	
PRINTER CABLE	
PRINTER	SNX-300
HDEB-9P	HRS:SDBB-25S
2. TXD	→ 25. RS232RX_1
3. RXD	← 12. RS232TX_1
5. GND-ISO	11. GND-ISO
8. RTS	← 24. RTS

GPS	
	SNX-300
2. TXD	→ 23. RS232RX_1
3. RXD	← 10. RS232TX_1
5. GND-ISO	22. GND-ISO

CW-SB 3C 0.75SQ (3M)



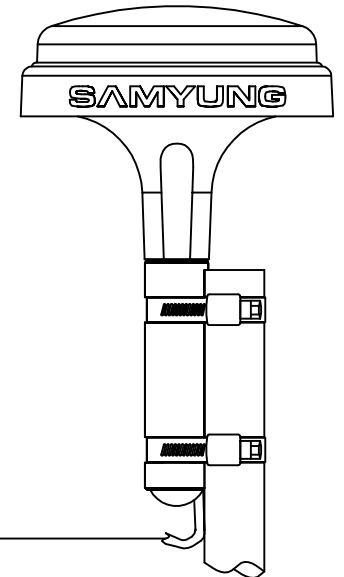
A-01



40,60 oh  
9V

A-02

ACTIVE ANTENNA SAN-300  
(518KHz, 490KHz, 4.2MHz)



DATA CABLE	
INS CABLE	
INS	SNX-300
WIRE	HRS:SDBB-25S
RS422RX_2B	→ 9.RS422RX_2B
RS422RX_2A	→ 21.RS422RX_2A
GND-ISO	8. GND-ISO
RS422TX_2B	← 20.RS422TX_2B
RS422TX_2A	← 7.RS422TX_2A

DATA CABLE	
OTHER CABLE	
OTHER	SNX-300
WIRE	HRS:SDBB-25S
BK+	→ 4.BK+
BK-	→ 16.BK-
GND	8. GND
E_ALARM	← 15.E_ALARM
E_ALARM-GND	← 2.E_ALARM-GND

Title SNX-300 NAVTEX External Connection Rev. C

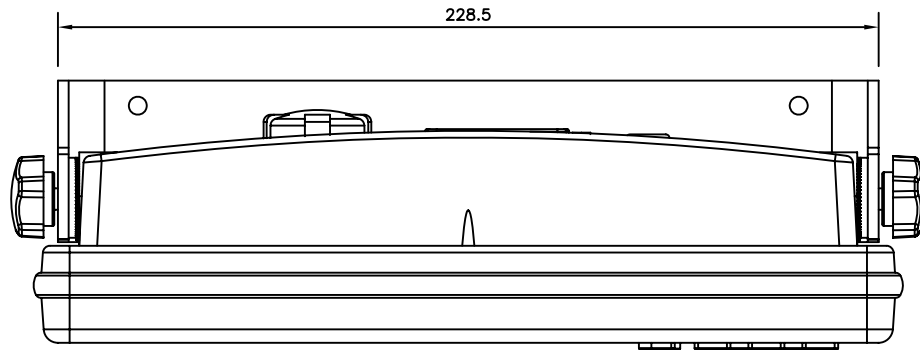
APPROVED	CHECKED	DESIGNED/DROWN J.H.CHOI	Size A4 Drawing-No. 05051023
File : SNX-300	Date : 2005.11.03	Unit : mm	Scale : 1/1

SAMYUNG ENC CO.,LTD.

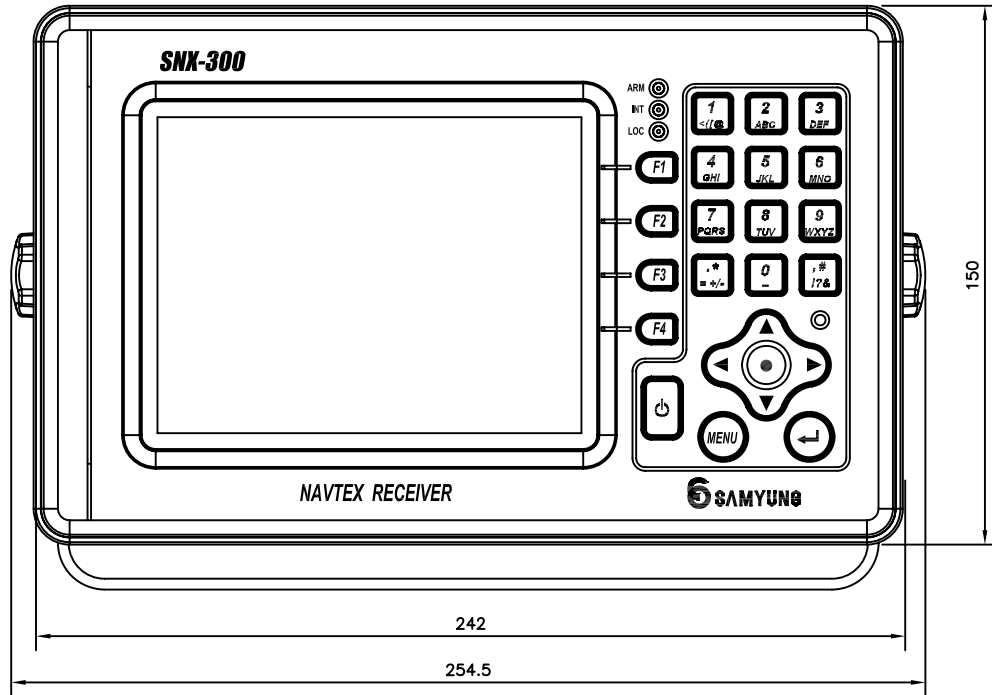


1 2 3 4 5 6 7 8 9

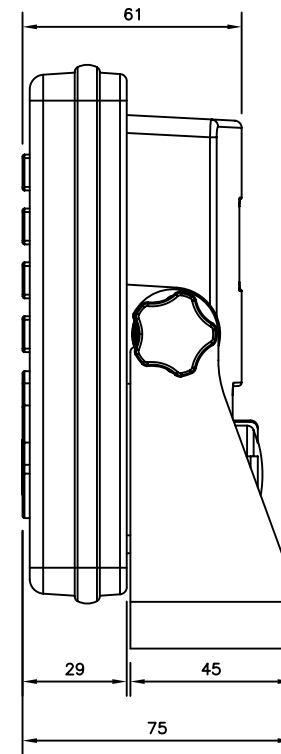
A



B




C



D

E

Title				SNX-300 NAVTEX OUTLINE DRAWING		Rev.		A	
APPROVED		CHECKED		DESIGNED/DROWN J.H.CHOI		Size A4		Drawing-No. 05051020	
File : SNX-300				Date : 2005.11.03		Unit : mm		Scale : 1/1	
SAMYUNG ENC CO.,LTD.									

1 2 3 4 5 6 7 8 9

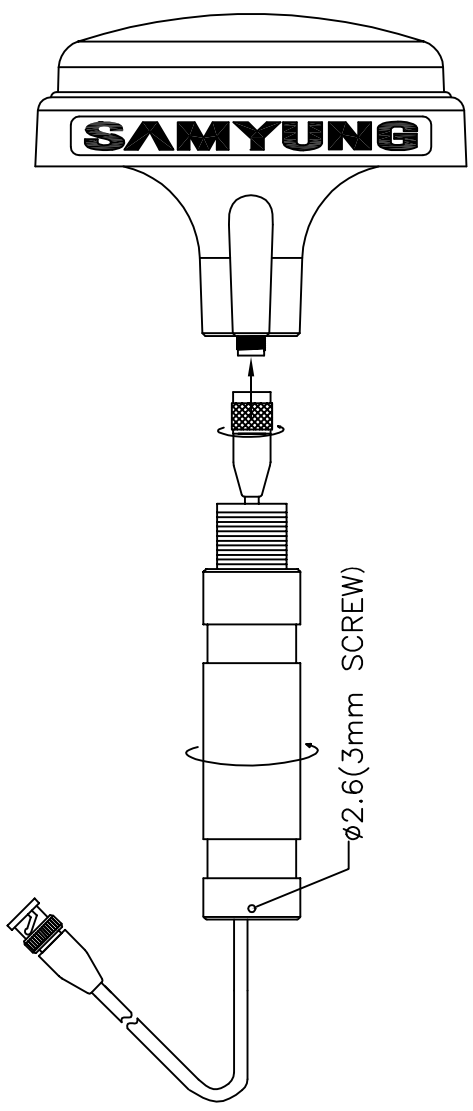
A

B

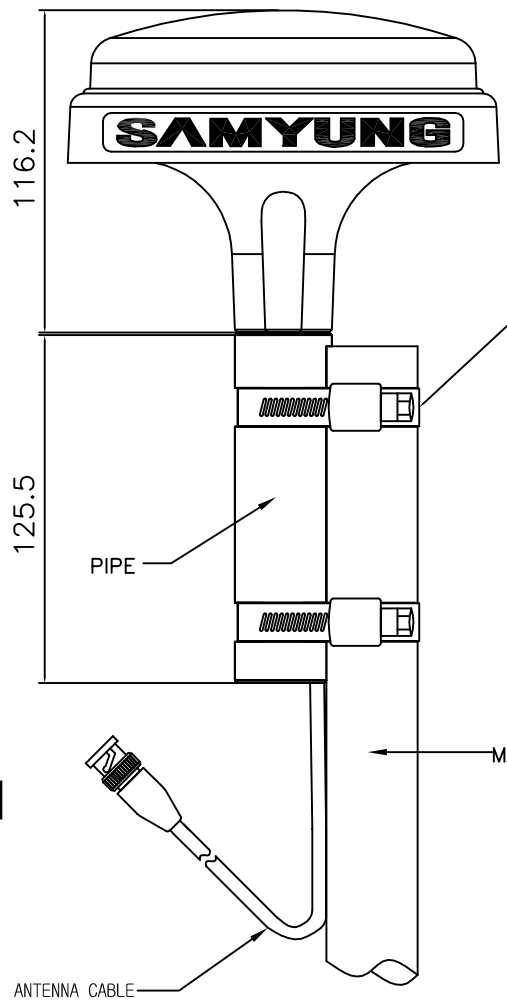
C

D

E



40,60 oh



BELT(φ63.5)  
stainless steel Clamp(2 1/2")  
(Min=φ40, Max=φ64)

Title			SNX-300(NAVTEX ) SAN-300 OUTLINE DRAWING		Rev.
APPROVED			CHECKED	DESIGNED/DROWN J H CHOI	Size A4 Drawing-No. 05051026
File : D:\WDBASE-02\WNAVTEX\NAUTO		Date : 2005.11.01	Unit : mm	Scale : 1/1	1 of 1

SAMYUNG ENC CO.,LTD.



1 2 3 4 5 6 7 8 9

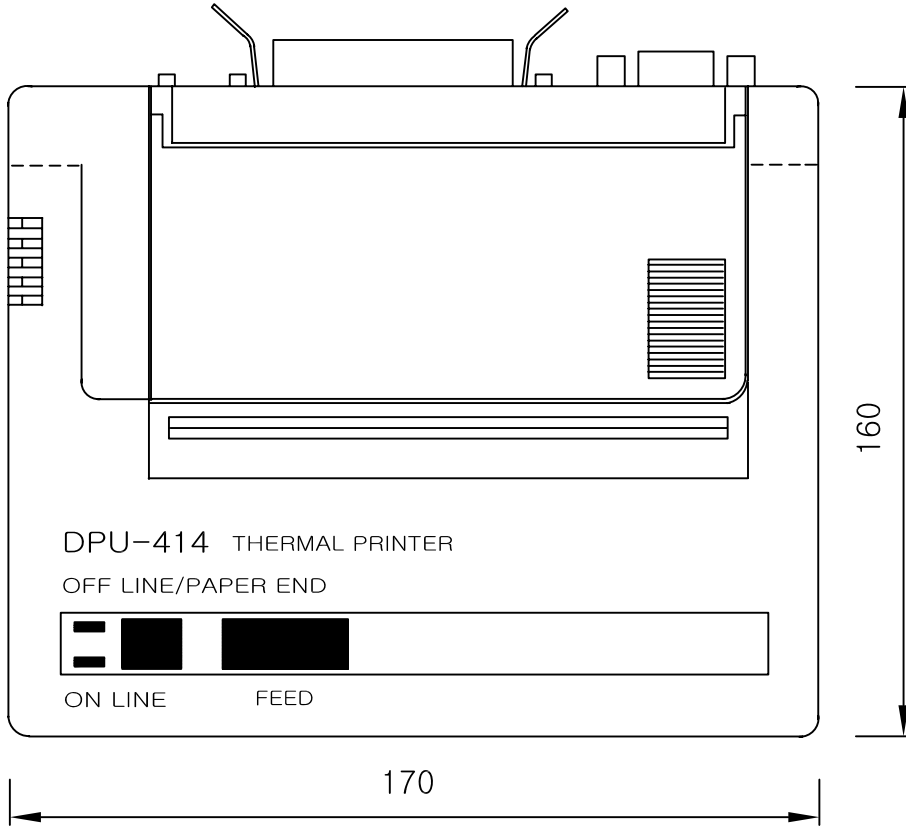
A

B

C

D

E



DPU-414 THERMAL PRINTER

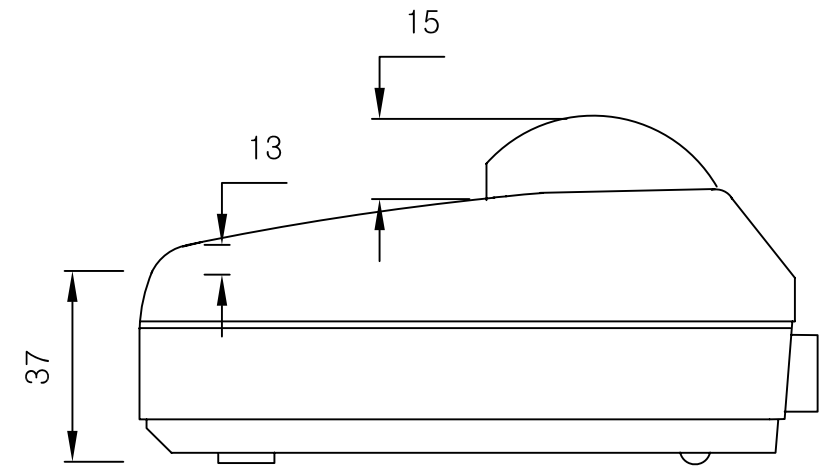
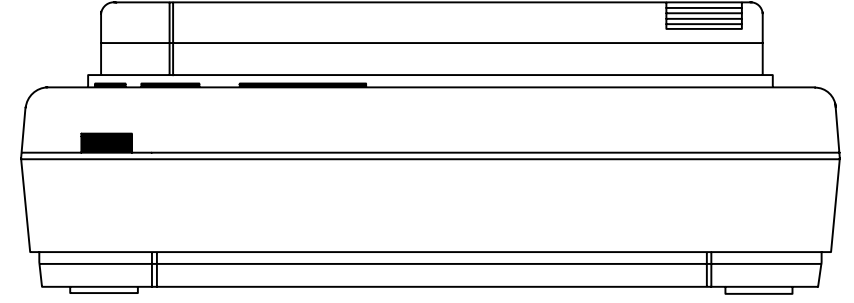
OFF LINE/PAPER END



ON LINE FEED

170

160

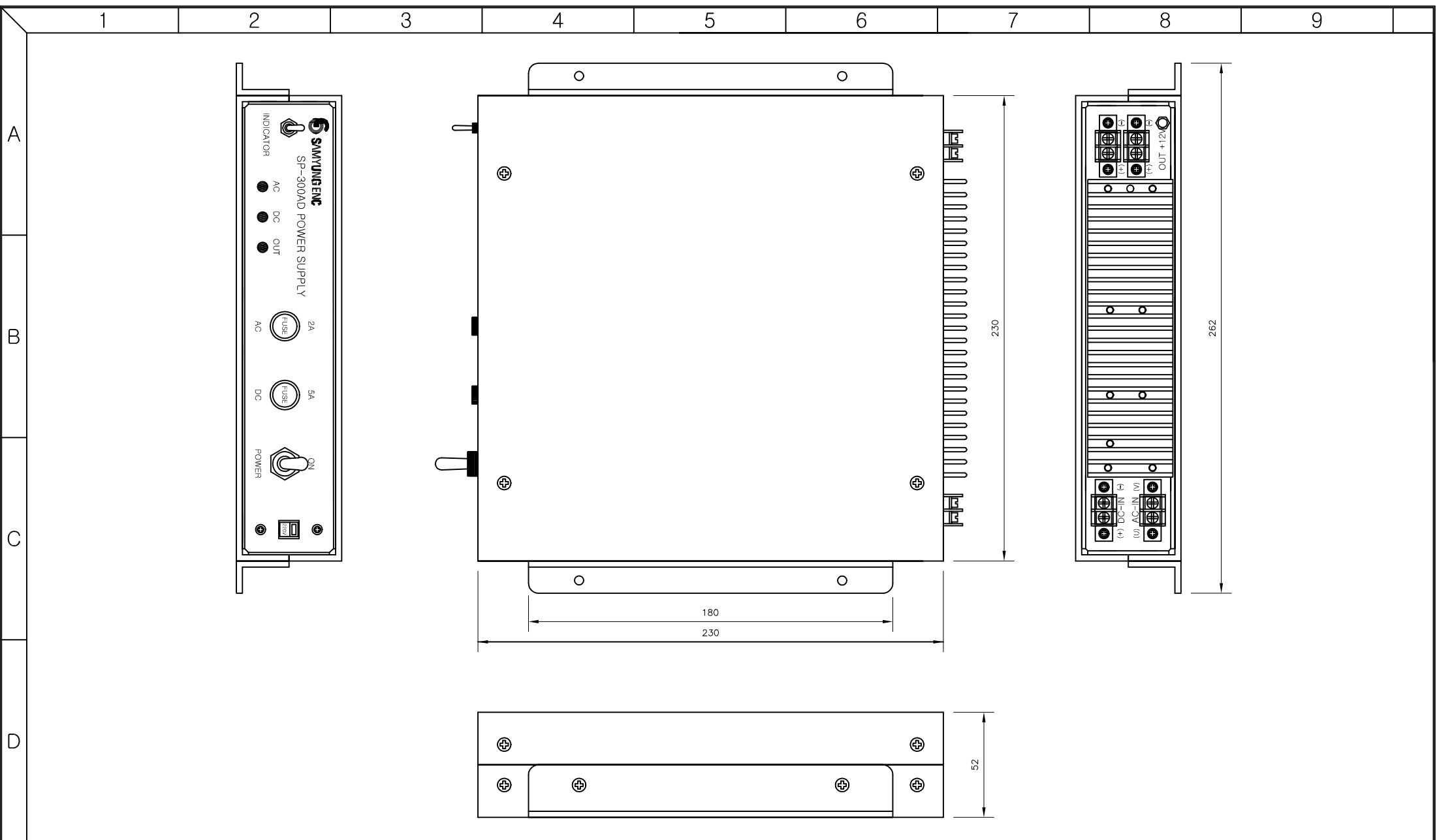


37

13

15

Title				PRINTER OUTLINE DRAWING				Rev.	
				DPU-414				A	
APPROVED		CHECKED		DESIGNED/DROWN		Size			
				KIM.J.H		A4			
						Drawing-No.			
						99072305			
File : DPU-414.DWG				Date : 02.05.27		Unit : mm		Scale :	
								1 of 1	
SAMYUNG ENC CO.,LTD.									



Title			POWER SUPPLY OUTLINE DRAWING		Rev.
			SP-300AD		A
APPROVED	CHECKED	DESIGNED/DROWN	Size	A4	
		J.H.CHOI	Drawing-No.	05051028	
File : DPU-414.DWG	Date : 02.05.27	Unit : mm	Scale :	1 of 1	

SAMYUNG ENC CO.,LTD.

